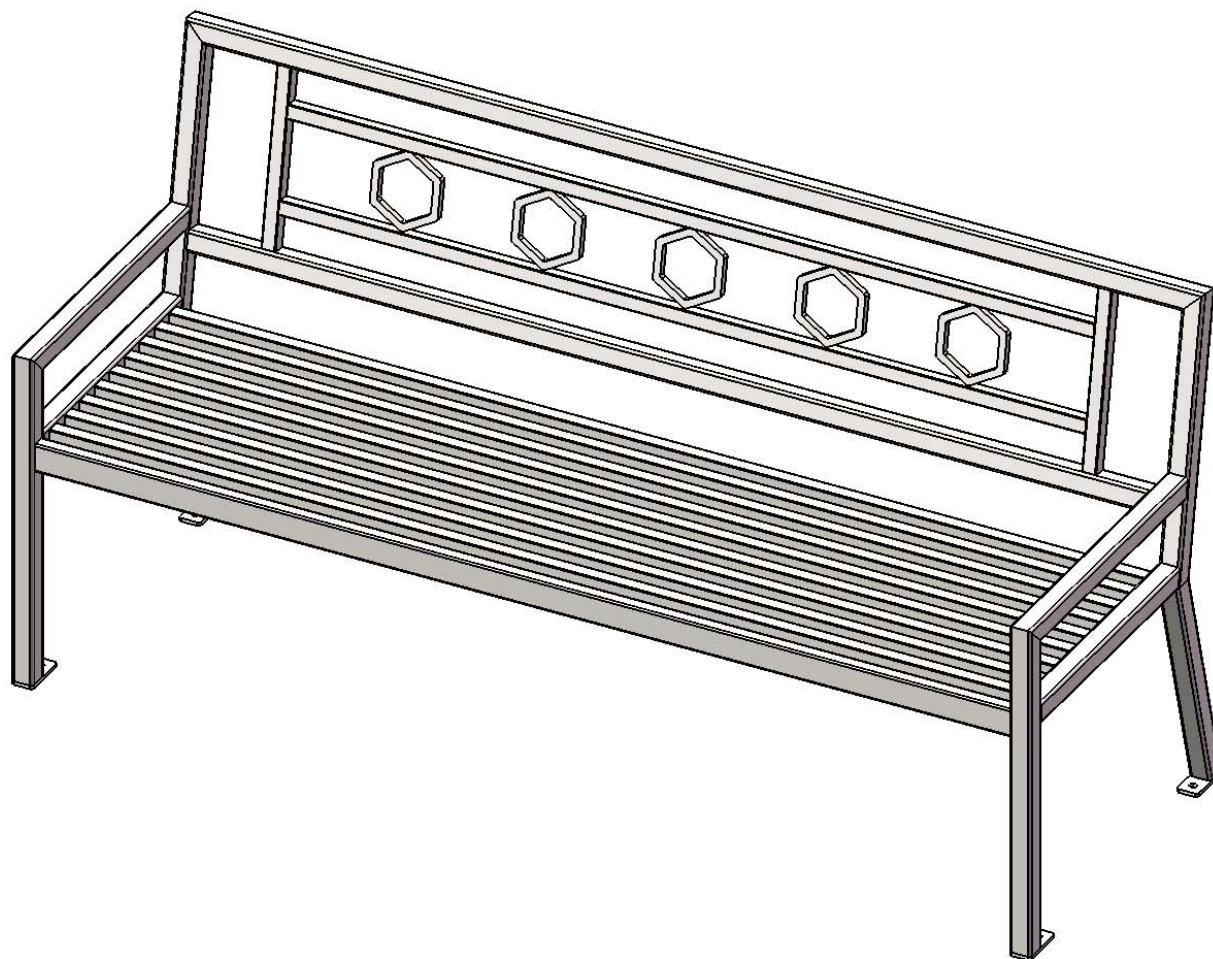


Site Amenities

BY SUPERIOR RECREATIONAL PRODUCTS



Model #
B6WBBC

 **SUPERIOR**[®]
RECREATIONAL PRODUCTS
A **PLAYCORE** Company

PRODUCT SPECIFICATIONS

B6WBBC PORTABLE/SURFACE MOUNT BISCAYNE BENCH WITH BACK

Seats: Seat is fabricated from 2" x 1" rectangular and 1" square tubing. Back is fabricated from 1-1/2" Square and 1" Square Tubing. Legs are 1-1/2" steel square bar. Mounting plates shall be 1-1/2" x 3-1/4" x 1/4". All electrically MIG welded.

Coating: Steel is sandblasted to near white condition. Coated with zinc rich epoxy primer and top coated with electrostatic powder coat, oven cured.

Dimensions: 6' portable/surface mount bench with back. Seats are 20-1/2" wide x 69" long. Seat height is 18" from the ground to the top of the seat. The overall dimensions are 72" x 25-3/4" x 36".

OVERALL DIMENSIONS

