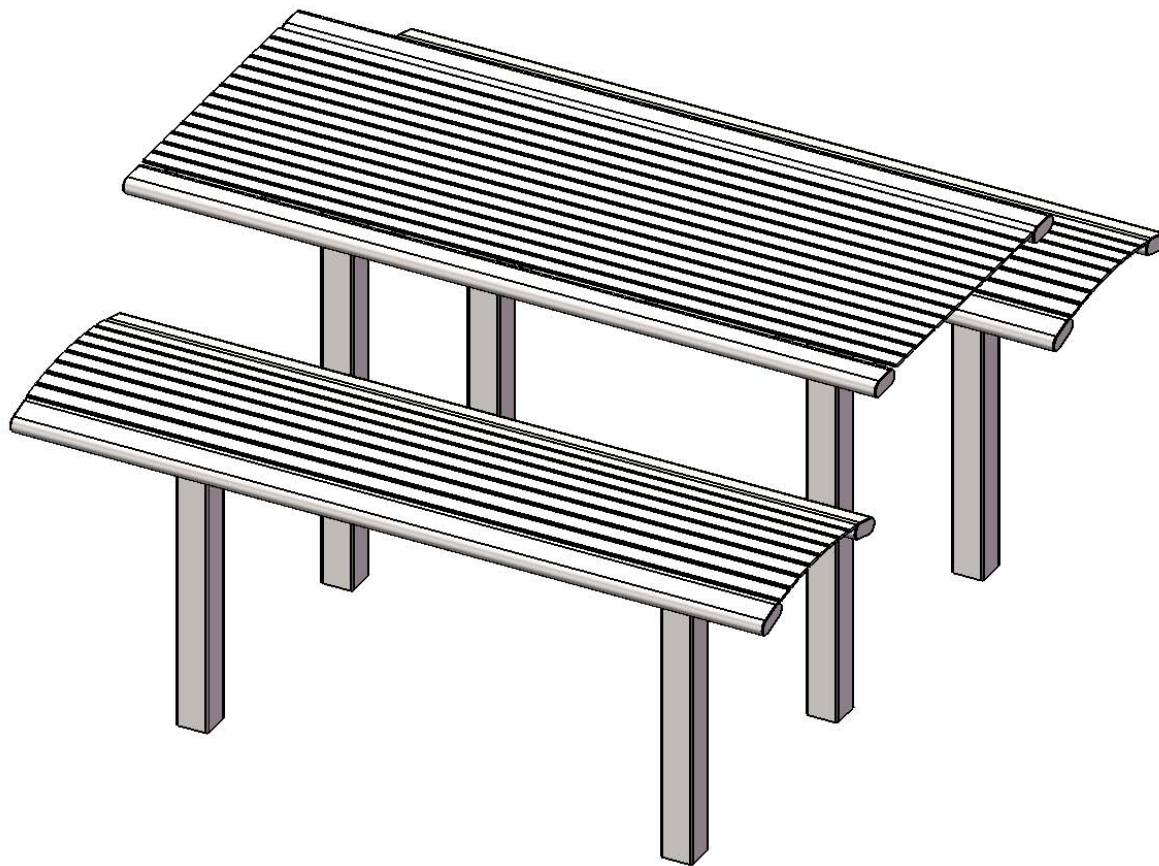


# Site Amenities

BY SUPERIOR RECREATIONAL PRODUCTS



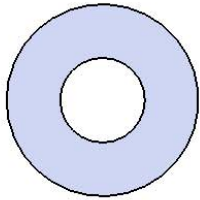
Model #  
T6ARPEDS-ST

 **SUPERIOR**<sup>®</sup>  
RECREATIONAL PRODUCTS  
A **PLAYCORE** Company

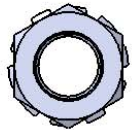
# HARDWARE



3/8" x 1"  
Machine Bolt

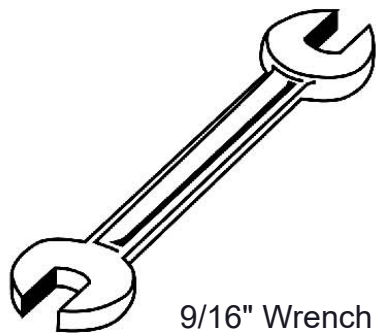


3/8" Flat Washer



3/8" Keeplow Nut

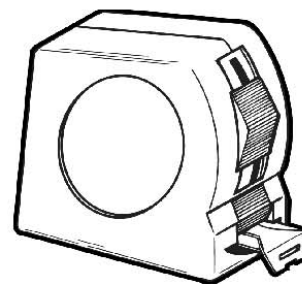
## TOOLS REQUIRED



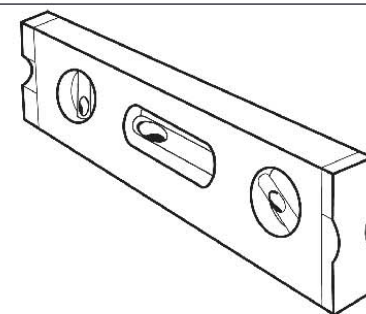
9/16" Wrench



9/16" Socket Wrench



Tape Measure



Level

# PRODUCT SPECIFICATIONS

## **T6ARPEDS-ST ARCHES INGROUND MOUNT PICNIC TABLE**

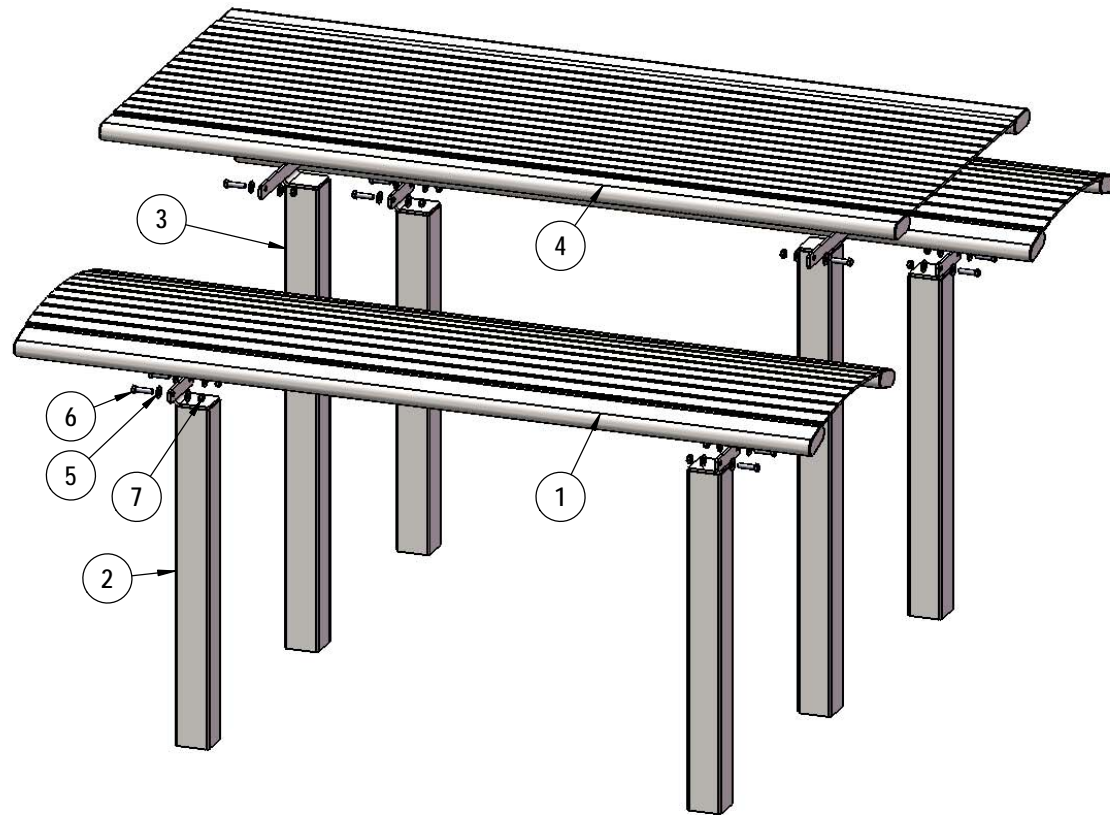
Seat: Shall be fabricated from 1 ½" x ¼" flat steel strips. Reinforced with ¼" thick support ribs. End Planks are made from 1-1/2" x 3-1/2" steel oval tubing.

Frame: 3" x 3" square x11 gauge structural steel tubing. All electrically MIG welded.

Coating: Metal is sandblasted to near white condition. Coated with zinc rich epoxy primer and top coated with electrostatic powdercoat, oven cured.

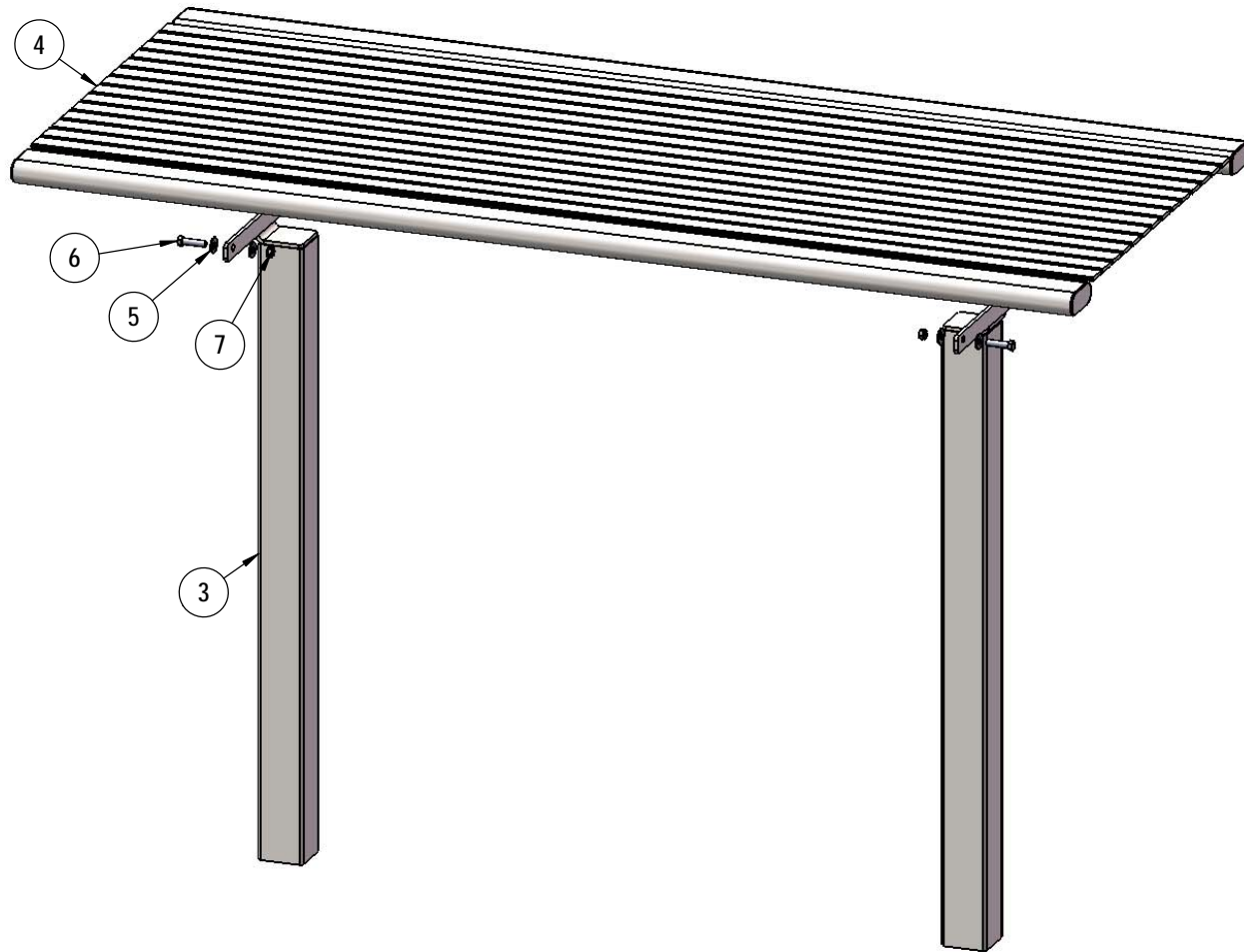
Dimensions: 6' inground mounted table without back. Seats are 20" wide x 71" long. Seat height is 18-7/8" from the ground. Table height is 30" from the ground. The overall dimensions are 71" x 72" x 43-5/8"

# COMPONENTS



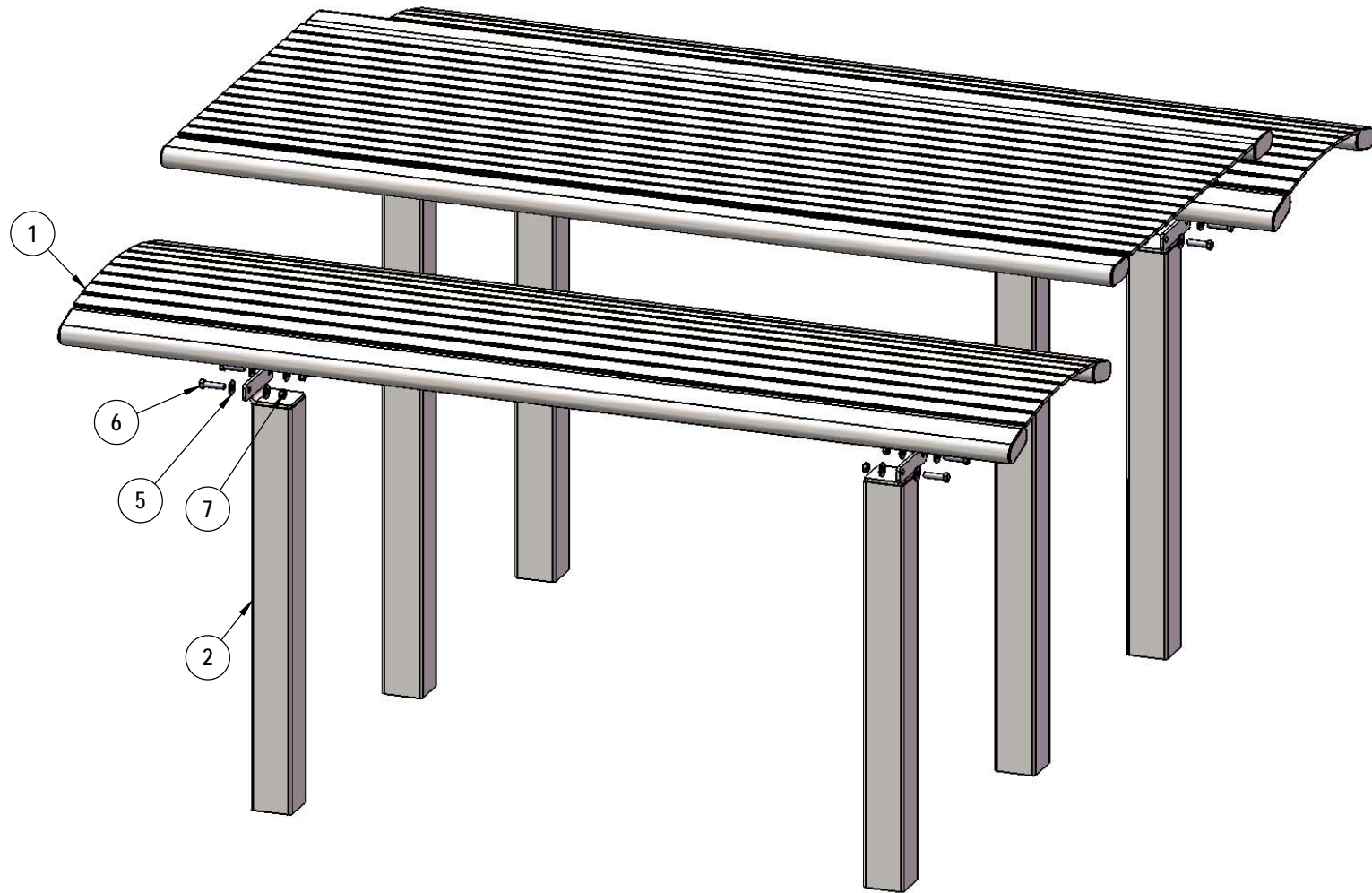
ITEM NO.	PartNo	DESCRIPTION	QTY
1	P-01-01-0415	6' Richmond Series Seat	2
2	P-01-01-0419	82 Series S Leg	4
3	01-04-0489	63 Square Leg Assembly - IG	2
4	01-04-0492	63 Table Top	1
5	33-02-0008	3/8" Flat Washer (SS)	24
6	33-05-0049	3/8" x 1 1/2" Machine Bolt (SS)	12
7	33-03-0013	3/8" Kep Nut (SS)	12

# STEP 1



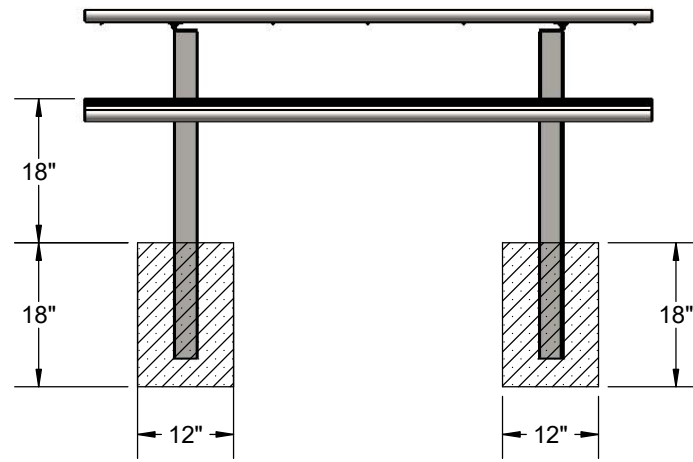
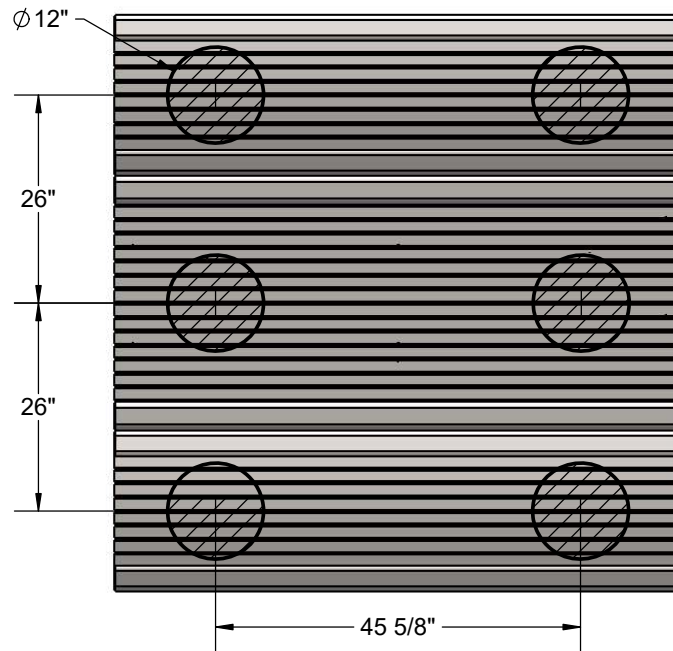
Attach the Table Top to the IG Table Legs using the specified hardware.

## STEP 2



Attach the seats to the legs using the specified hardware.

# FOOTINGS





# OVERALL DIMENSIONS

