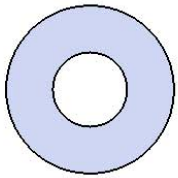


Model # T8RC-ELEM

HARDWARE



5/16" x 1"
Machine Bolt



5/16" Washer



5/16" Washer

PRODUCT SPECIFICATIONS

T8RC-ELEM PRE-SCHOOL PORTABLE PICNIC TABLE WALK THROUGH DESIGN

Seat & Back: 2" x 2" x 1/8" formed angle frame with 1-1/2" radius corners. 3/4" #9 steel expanded metal. 7 gauge x 1-1/2" flat bar center support and mounting bracket understructure. Electrically MIG welded.

Coating: Oven fused functionalized polyethylene copolymer-based thermoplastic. Fluidized bed coating application with superior mechanical performance, impact resistance and UV-stability.

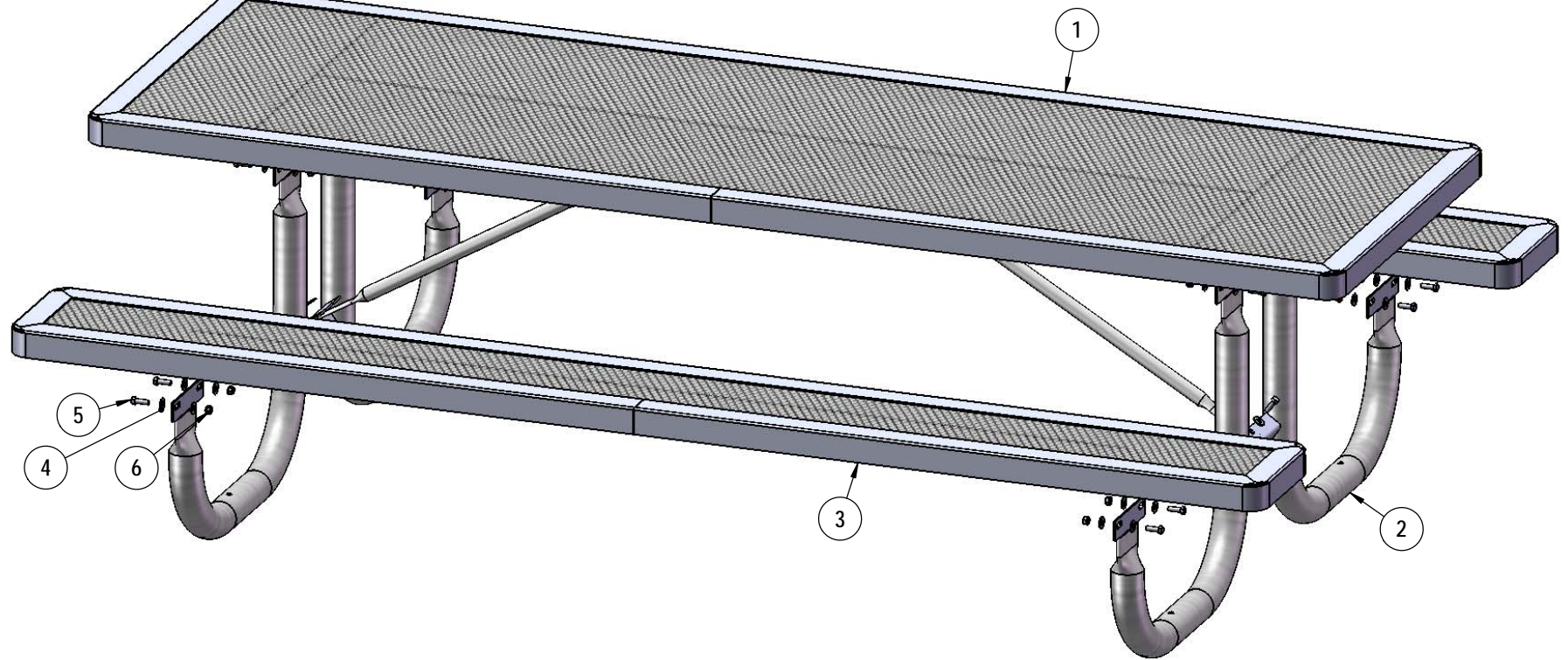
Frame: 2-3/8" O.D. x 12 gauge pre-galvanized structural steel tubing. Cross braces 1" O.D. x 16 gauge pre-galvanized structural steel tubing. Brace attachment points 1-1/2"x1-1/2"x3/16" steel angle. Seat and top mounting points 7 gauge x 1-1/2" die stamped steel flat bar. Legs are bent over a mandrel through the bend radius producing a wrinkle free bend. Holes are predrilled in legs for optional surface mounting. All electrically MIG welded.

Frame Coating: Electrostatic powder coated application oven cured.

Hardware: All stainless steel hardware fasteners.

Dimensions: 8' pre-school portable picnic table walk-through design. Top is 30" wide x 96" long x 24-13/16" high. Seat is 10" wide x 96" long x 13-13/16" high. Outside to outside dimensions are 61-1/8" x 96".

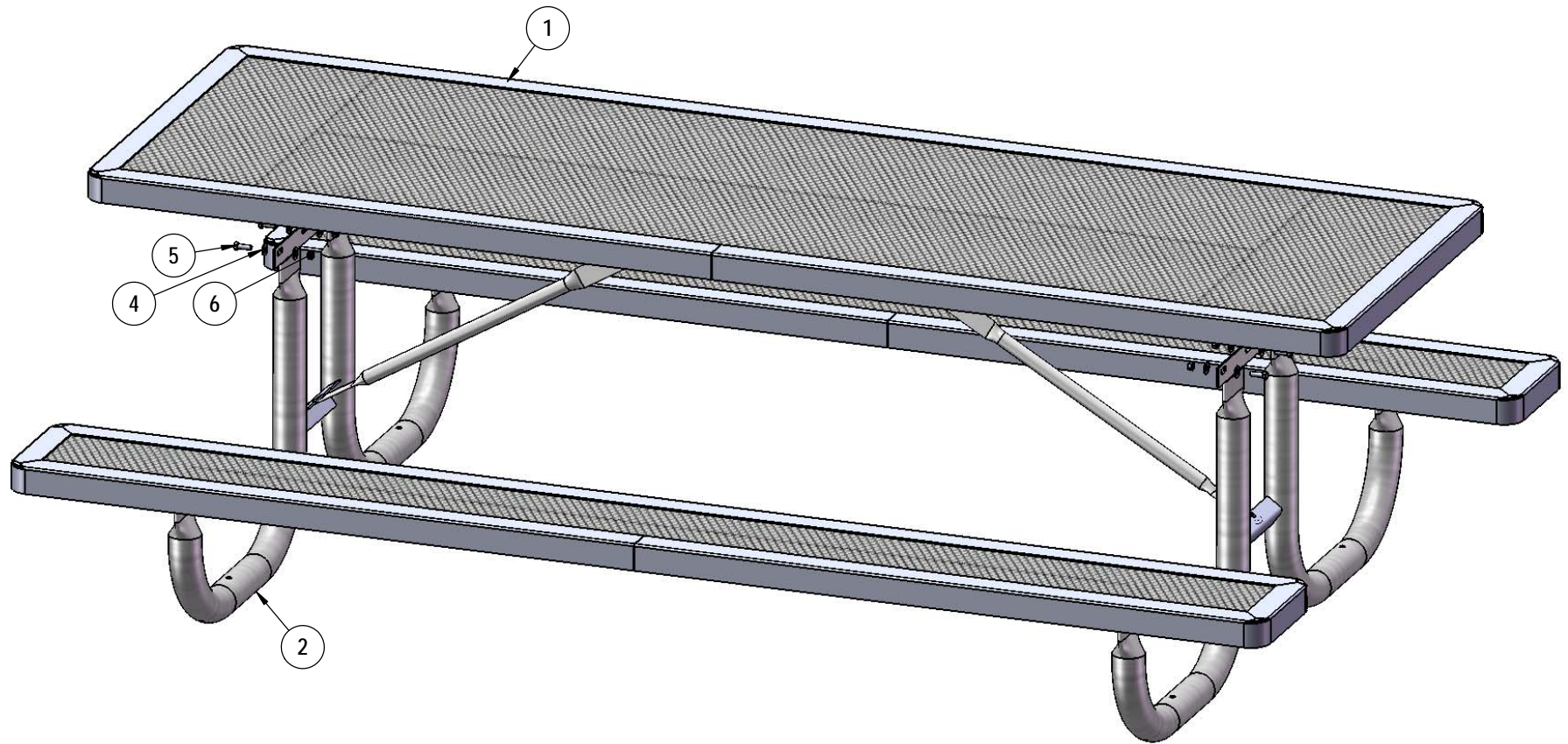
COMPONENTS



ITEM NO.	PartNo	DESCRIPTION	QTY
1	RC96-T	8' regal expanded top	1
2	04-01-0019	238 preschool vinyl frame	2
3	RC96-S	8' long x 10" wide regal expanded seat	2
4	33-02-0007	5/16" SS Washer	40
5	33-05-0029	5/16" x 1" Machine Bolt (SS)	20
6	33-03-0012	5/16" Kep Nut (SS)	20
7	04-01-0021	27 7/8" vinyl table brace	2

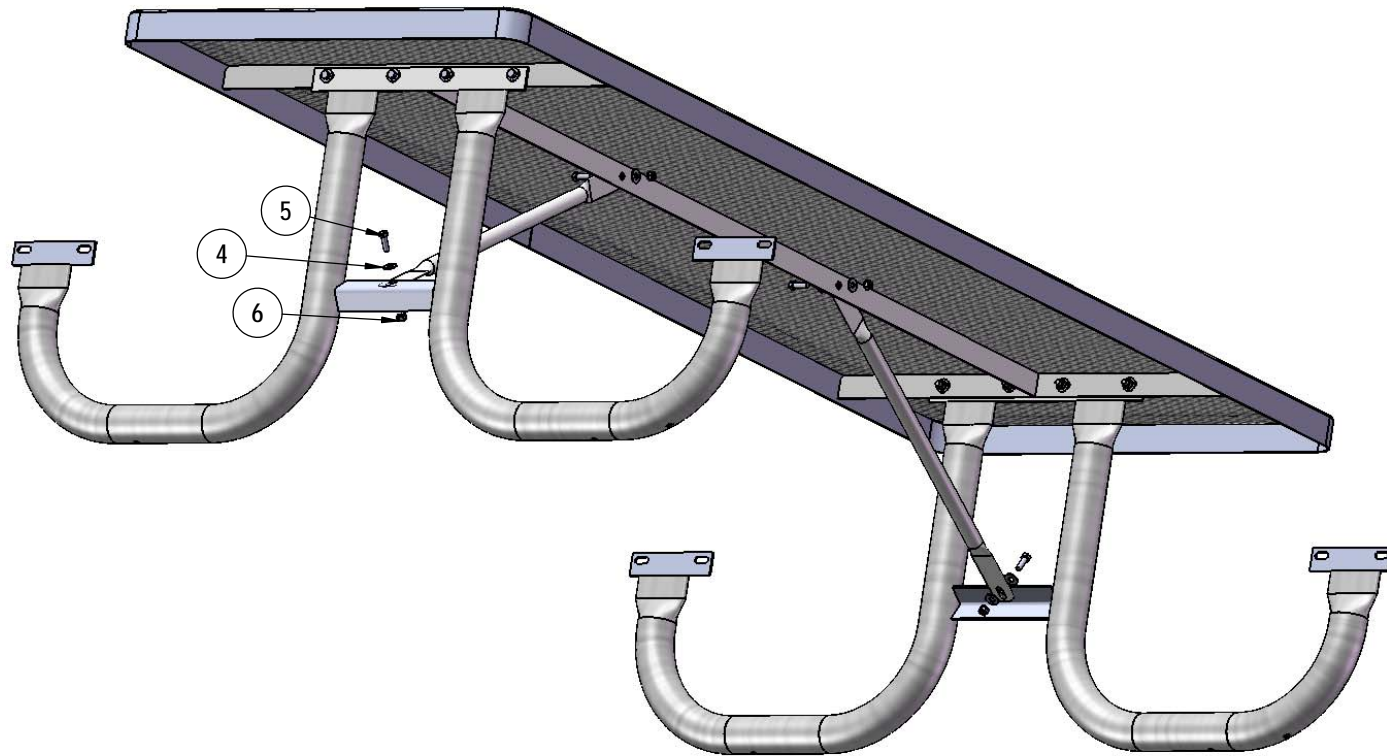
Superior[®]
 RECREATIONAL PRODUCTS
A PLAYCORE Company

STEP 1



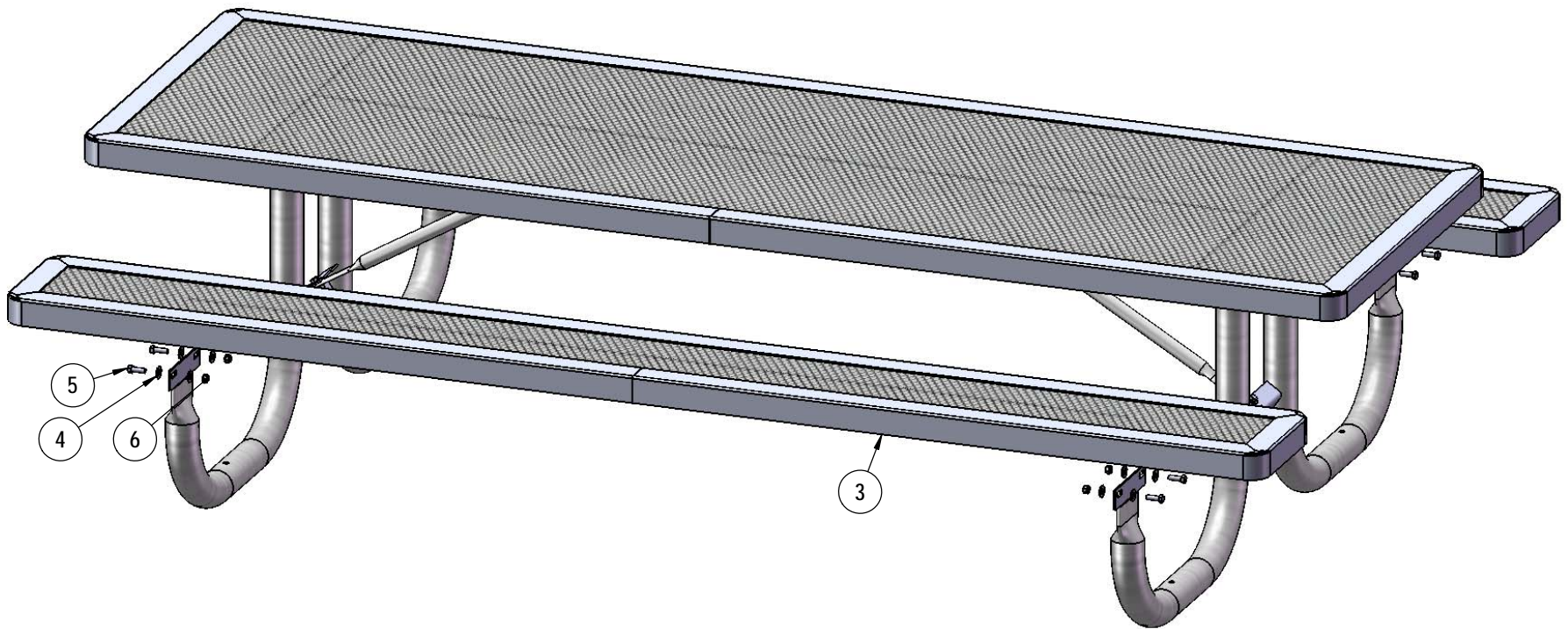
Attach the top to the top legs as shown using specified hardware.

STEP 2



Attach the braces to the frame and under side of the top as shown using specified hardware.

STEP 3



Attach the seats to the frame as shown using specified hardware.

OVERALL DIMENSIONS

