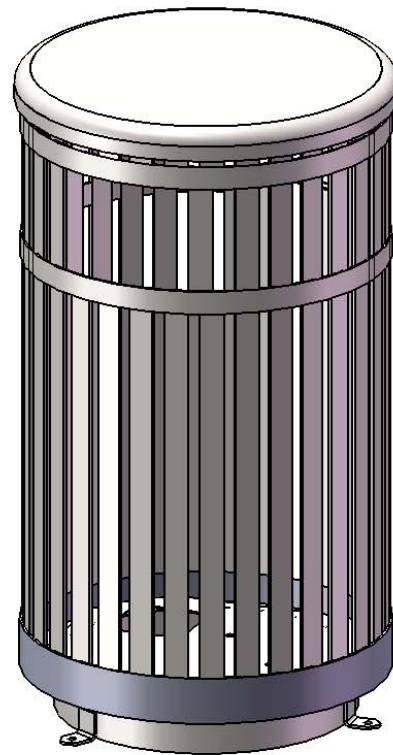


Site Amenities

BY SUPERIOR RECREATIONAL PRODUCTS



Model # TR32SLAT

PRODUCT SPECIFICATIONS

TR32SLAT KENSINGTON TRASH RECEPTACLE

Material: Sides are fabricated with 1-1/2" x 1/4" steel flat plate. Top ring is 5/8" rod. Upper flat rings are 1-1/2" x 10 gauge steel flat plate. Bottom flat rings are 3" x 7 gauge steel flat plate. Bottom plate fabricated from 12 gauge sheet steel precision punched. Surface mount feet are laser cut from 7 ga steel plate. All electrically MIG welded.

Receptacle Coating: Steel is sandblasted to near white condition. Coated with zinc rich epoxy primer and top coated with electrostatic powdercoat, oven cured.

Receptacle Dimensions: 23-3/8" diameter x 42-1/4" high x 36 gallon capacity.

Hardware: Mounting hardware not included.

32 GALLON SOLID FLAT TOP

Material: Top plate shall be fabricated from 18 gauge steel flat, spun to form.

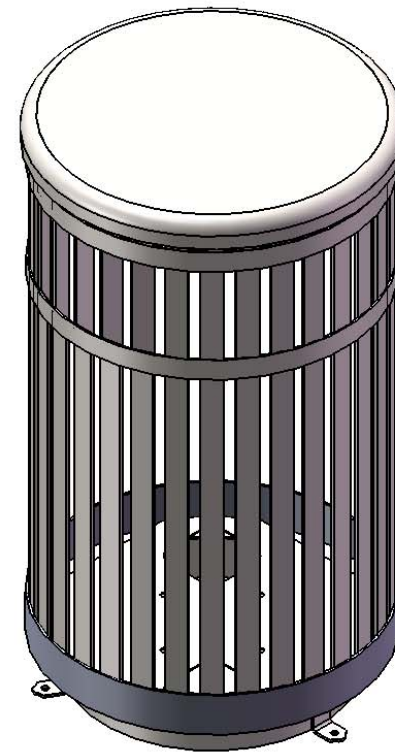
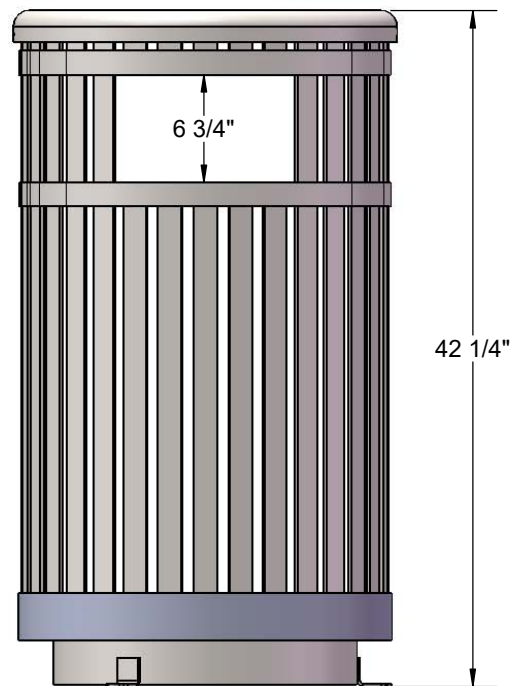
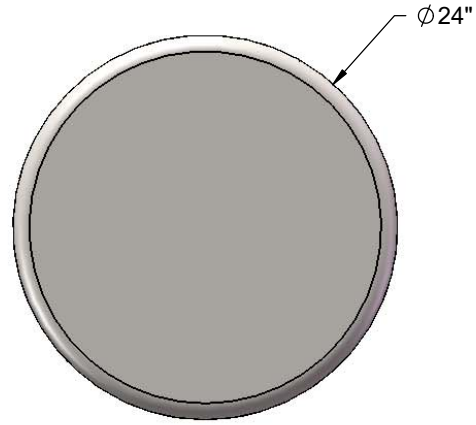
Coating: Steel is sandblasted to near white condition. Coated with zinc rich epoxy primer and top coated with electrostatic powdercoat, oven cured.

Receptacle Dimensions: The overall dimensions shall be 24" diameter x 2" high.

32 Gallon Liner: Made of heavy duty plastic.

Overall Dimensions Including Top: 24" in diameter x 42-1/4" high x 36 gallon capacity.

OVERALL DIMENSIONS



Optional Surface Mount Hardware:
3/8" x 3-1/2" Concrete Expansion Anchor Bolts
(Not Included)